

Installation instructions for PZ4AL-A2054-00, PZ4AL-A2055-00
Under Run Protective Shield Fuel Tank

Toyota Hilux



Model Year:

Hilux - 2011 - 2012

Vehicle Code:

KUN25L-DRMDHW
KUN25L-DRMSHW
KUN26L-PRASYW

Part Number:

Steel: PZ4AL-A2054-00
Aluminium: PZ4AL-A2055-00



Weight:

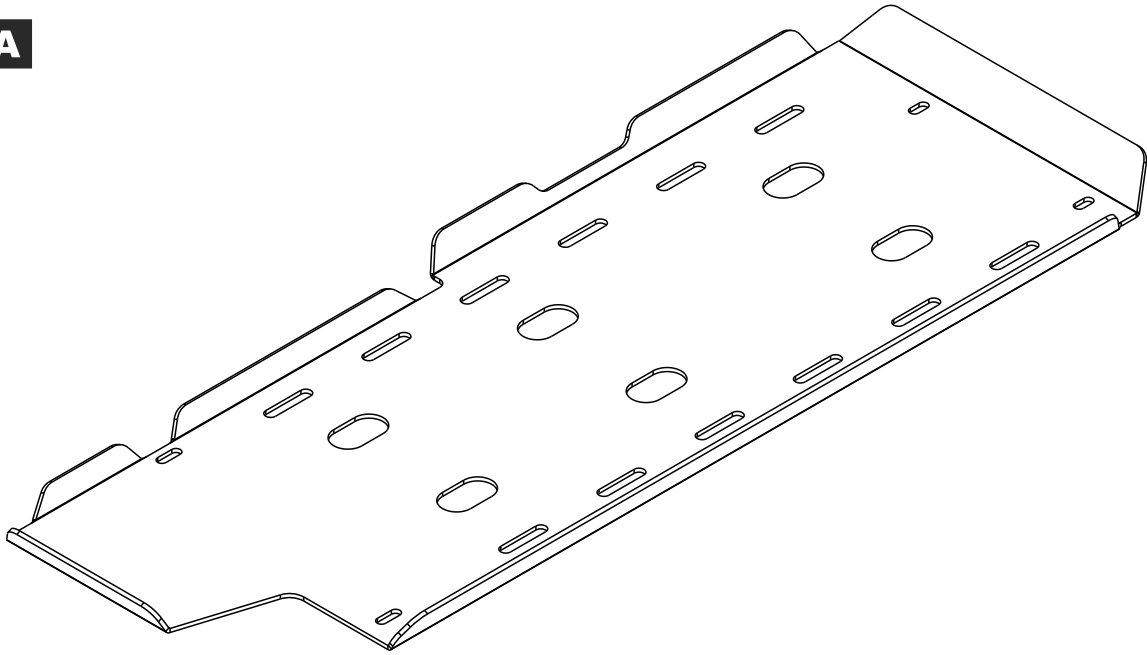
Steel: 13,35 kg
Aluminium: 10,02 kg



Installation Time:

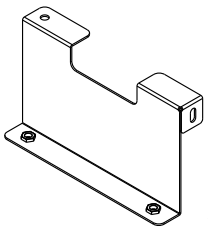
30 min

A



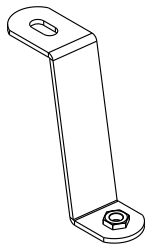
PZ4AL-02054-60

B



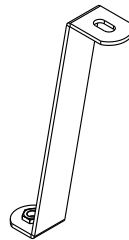
x1

C1



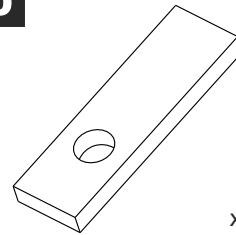
x1

C2



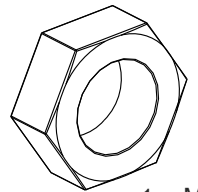
x1

D



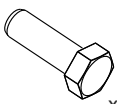
x2

E



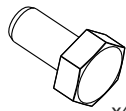
x1 M8

F1



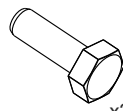
x1 M8x20

F2



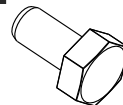
x4 M10x20

F3



x2 M10x30

F4



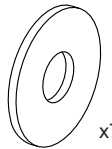
x1 M10x1.25x30

G1

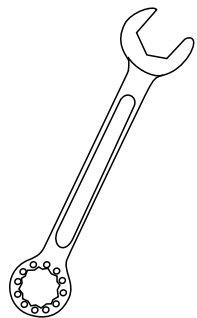
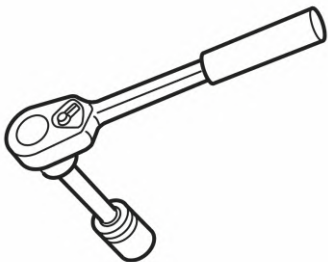


x2 Ø8

G2

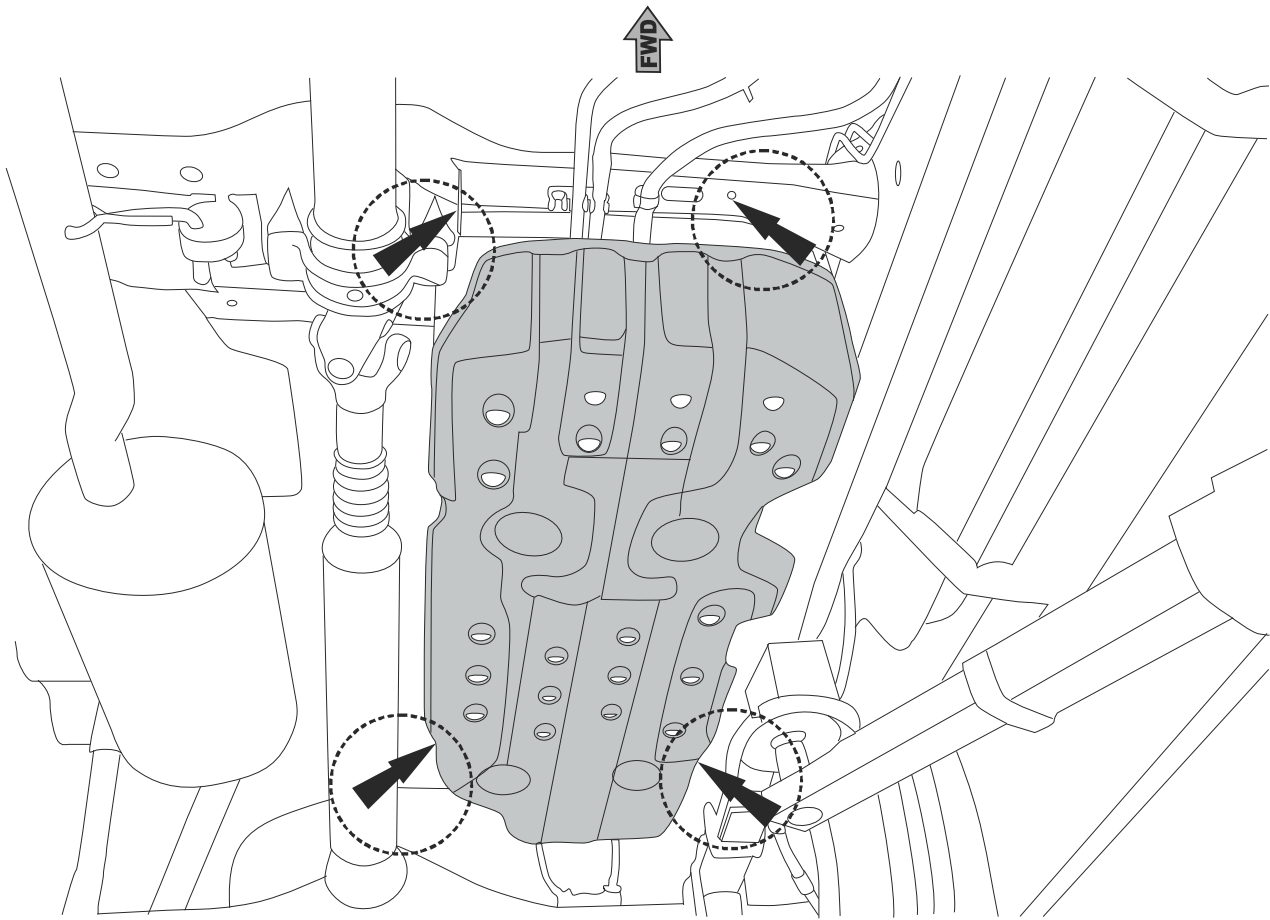
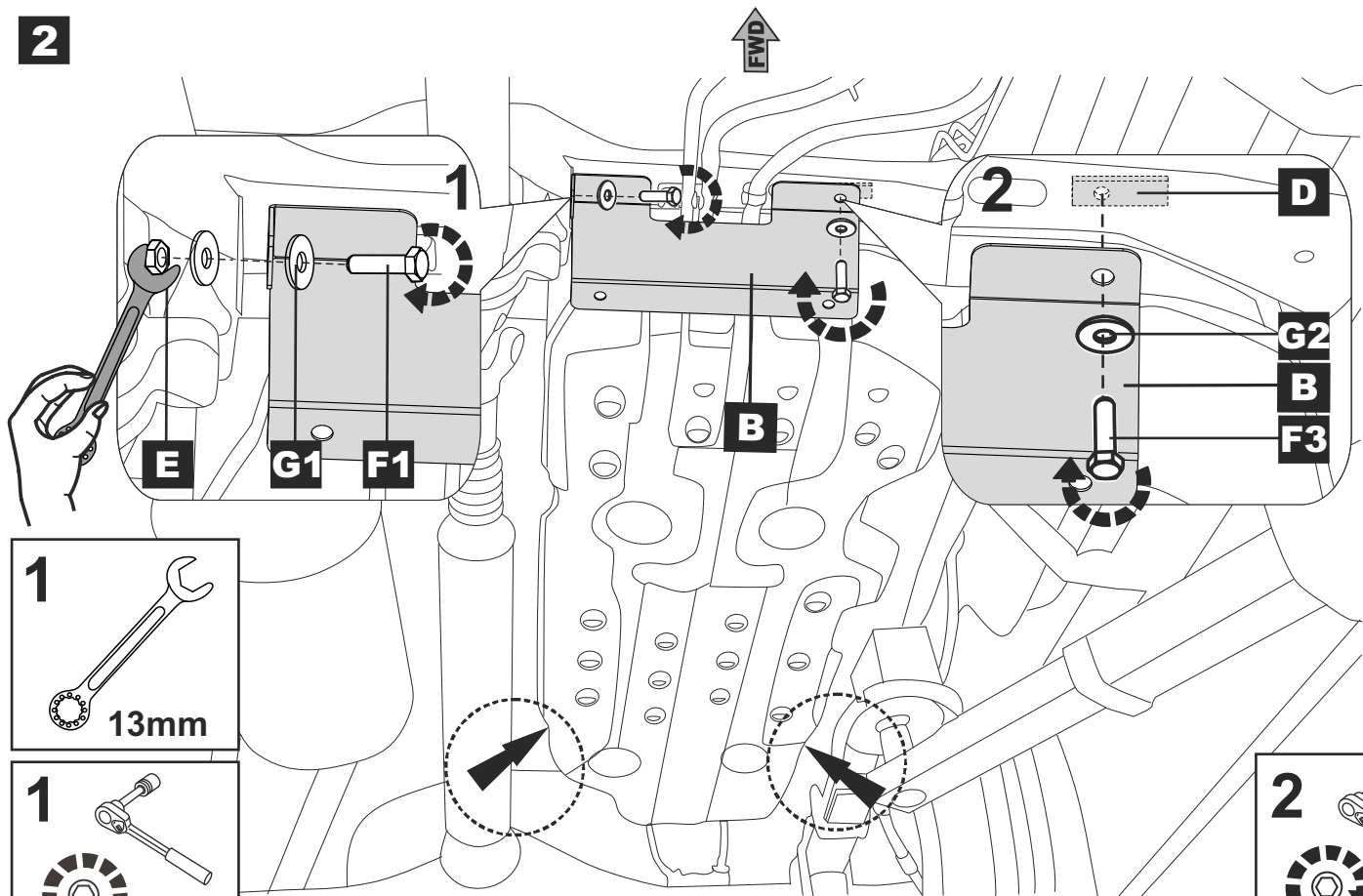
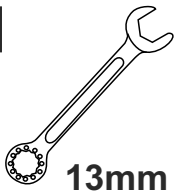
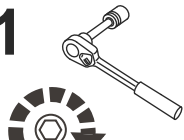
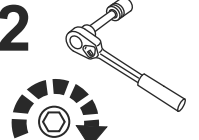


x7 Ø10

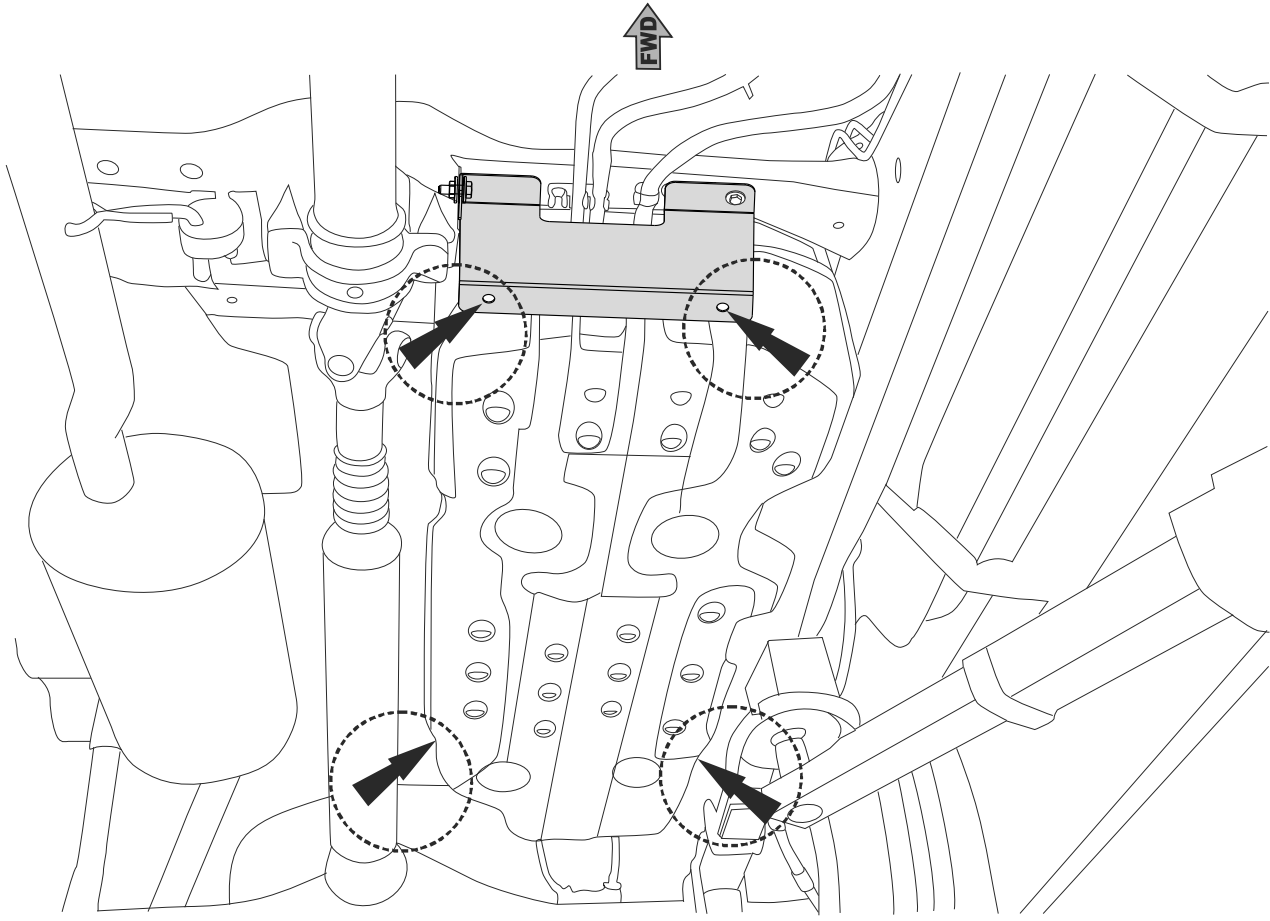


13 mm

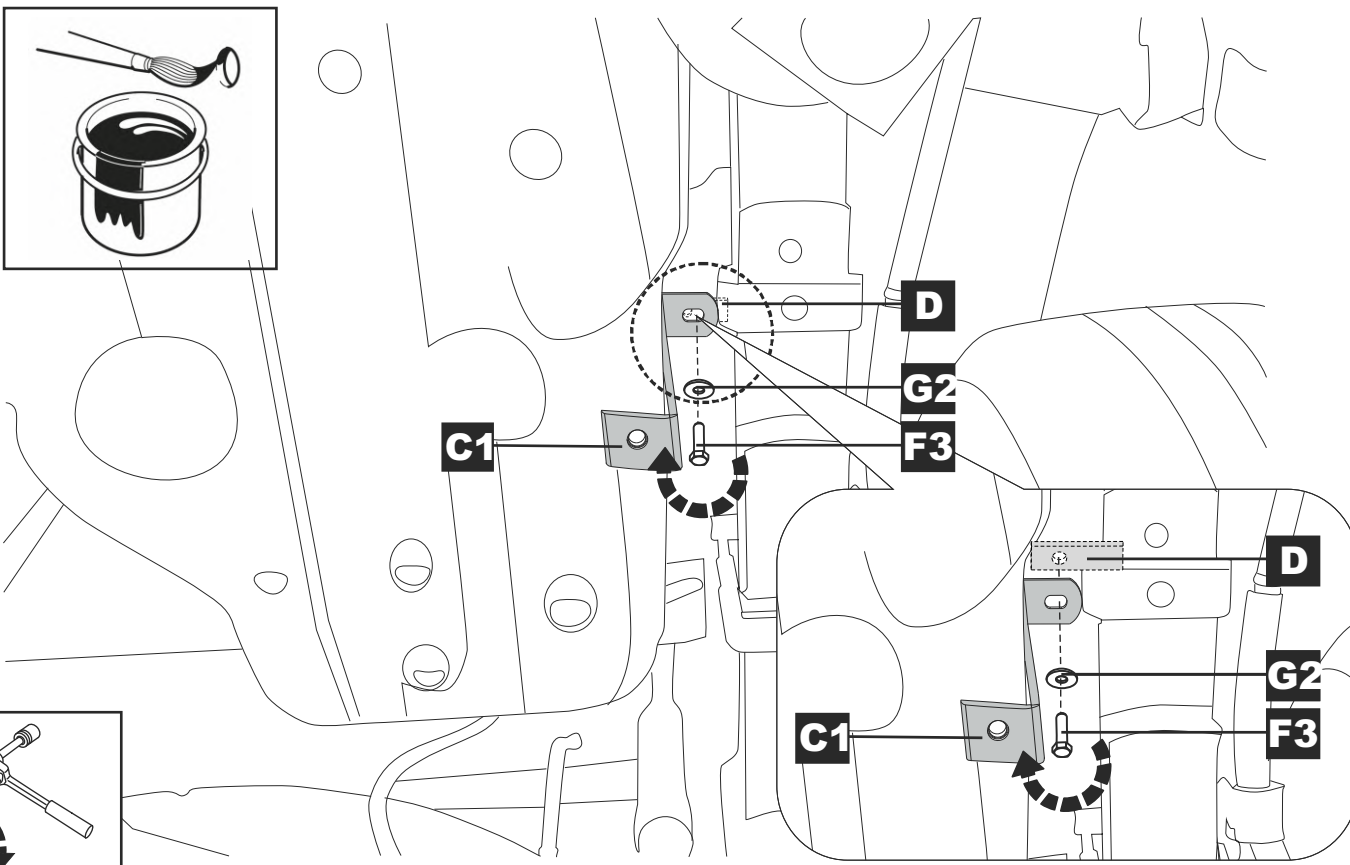


1**2****1****1****2**

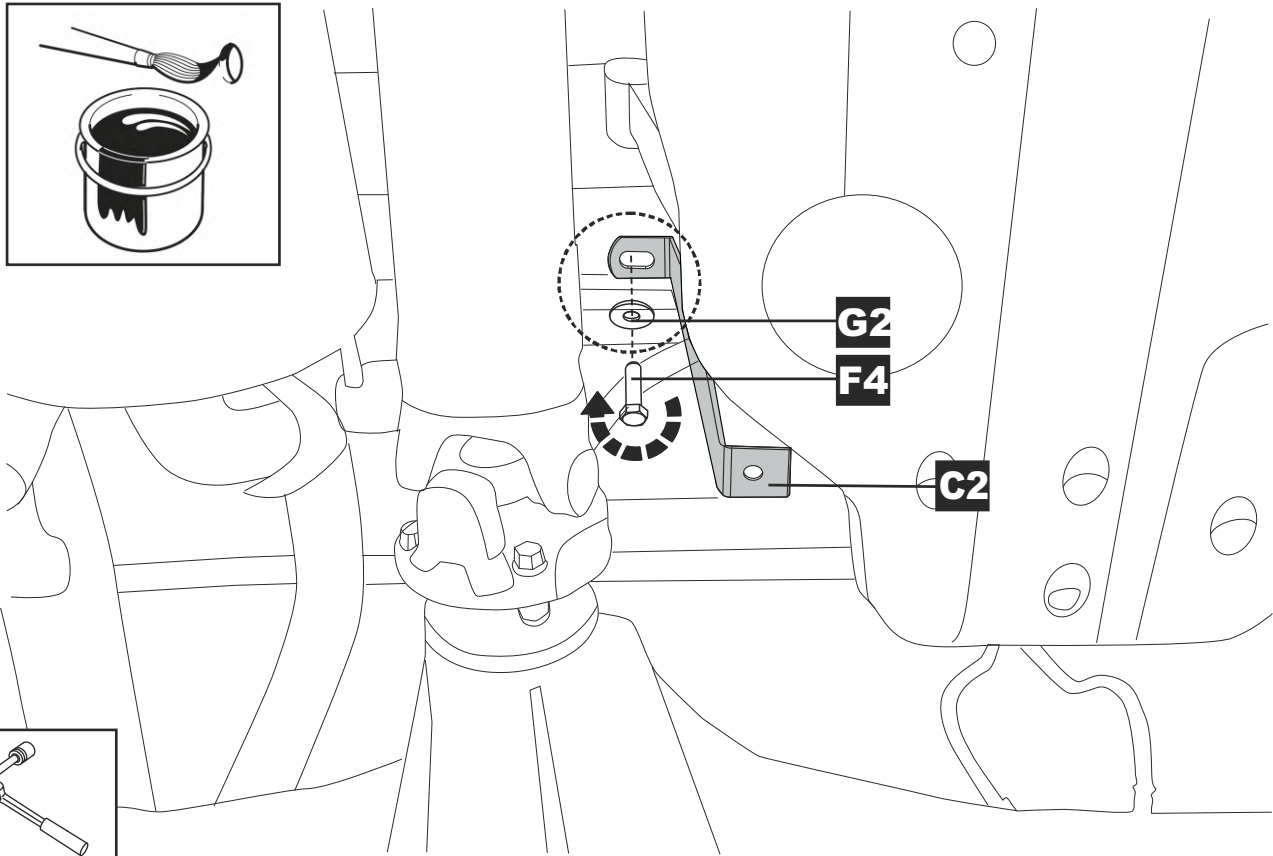
3



4

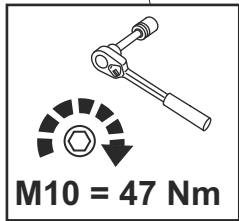


5



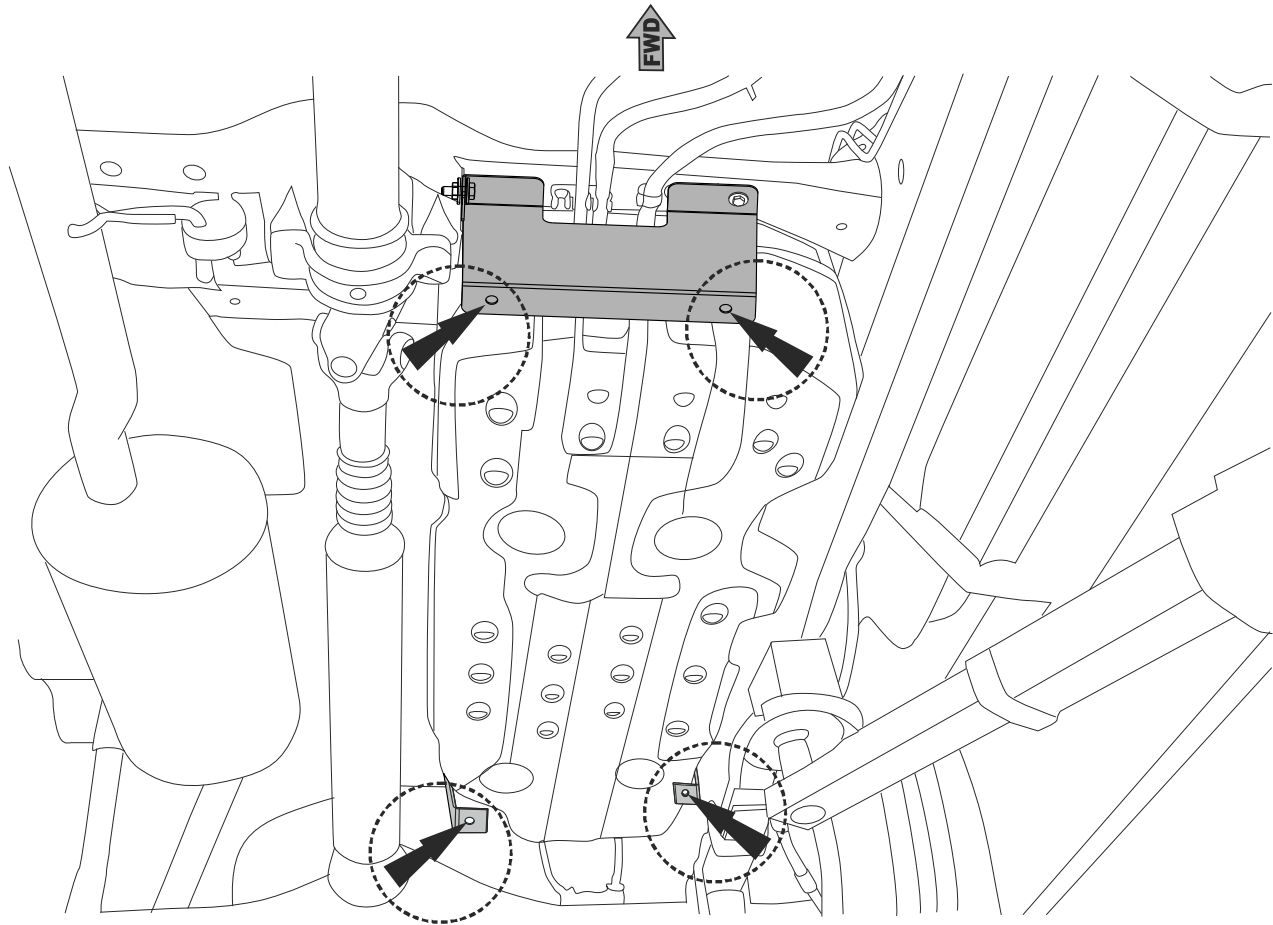
G2
F4

C2



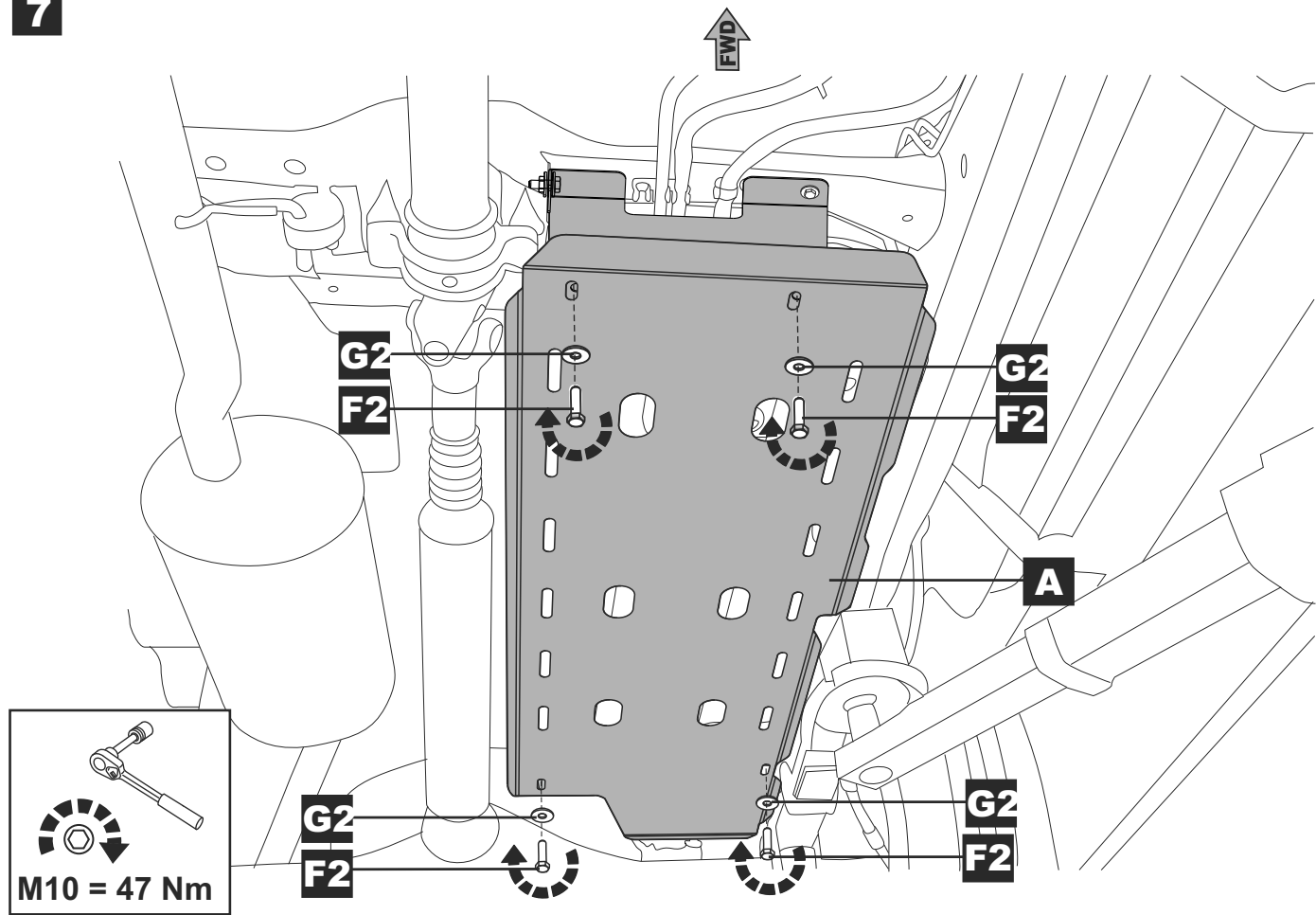
M10 = 47 Nm

6



FWD

7



8

